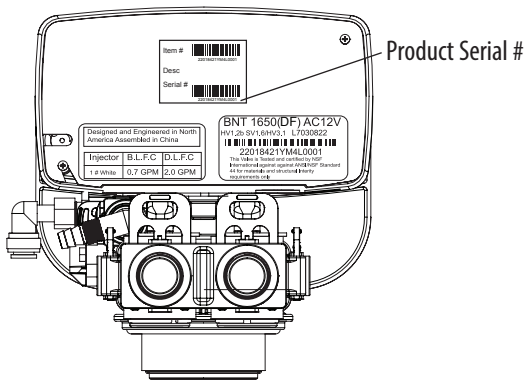


Hydrotech 765 Valve Softener Quick Set Up Manual

Step 1 – Inspection

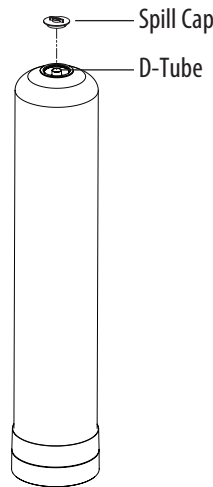
Check to make sure you got everything supplied by factory and there is no visible or concealed damage. In case of missing items, please contact customer service immediately and have the Product Serial # handy. (Product Serial # can be found at the back of the control valve, see below)



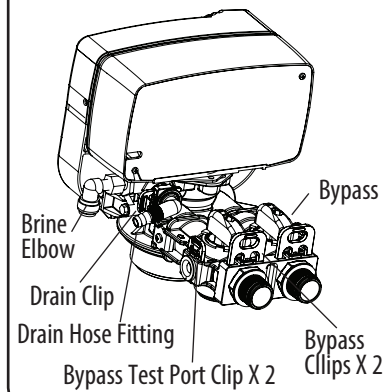
The items you will expect are:

1. Tank with Media loaded
2. Control Valve
3. Parts Kit
4. Brine Tank (Round or Square) and Components

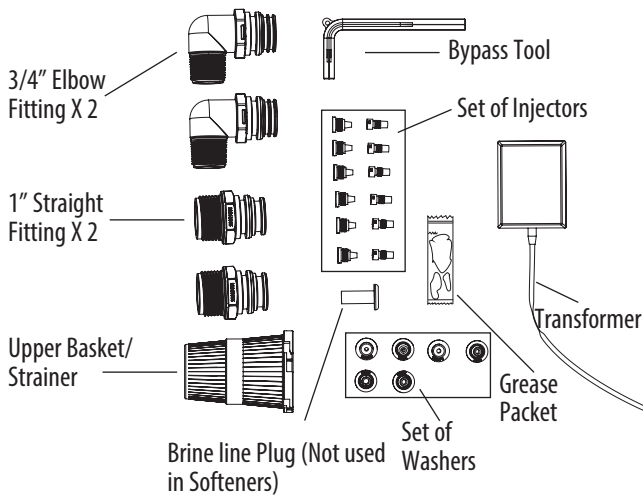
1. Tank with Media loaded



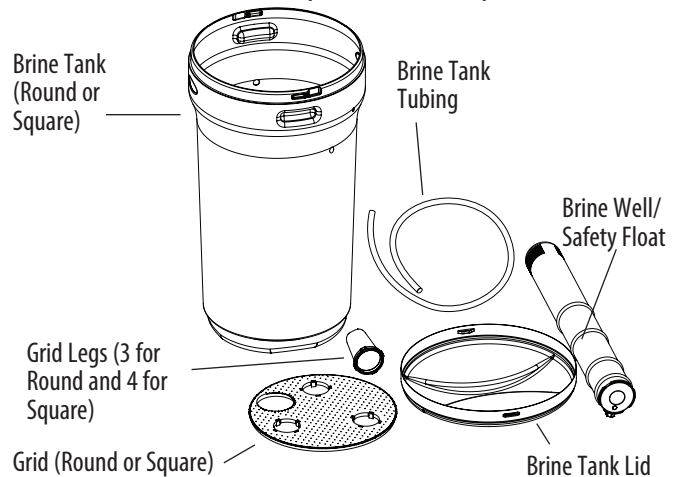
2. Control Valve



3. Parts Kit



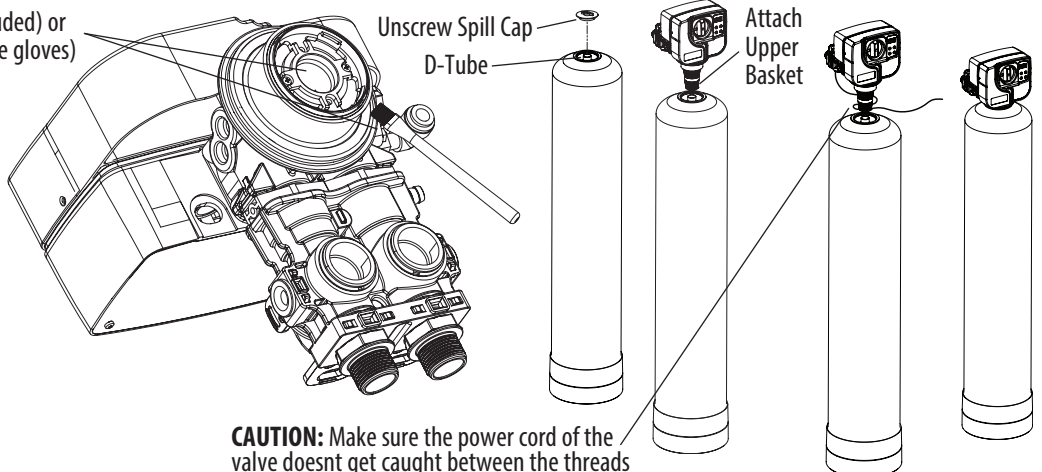
4. Brine Tank (Round or Square) and Components



Grease port Orings using brush (not included) or your finger (Make sure to wear protective gloves)

Step 2 – Installing Valve to the Tank

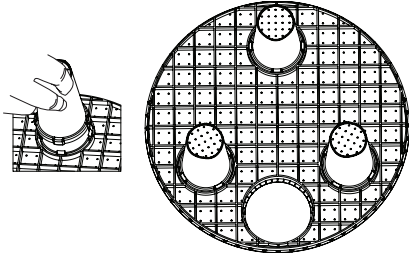
Select a Installation location and make sure there is access to 110V power outlet and drain line. Lube the bottom Valve Orings with the grease supplied, Attach the Upper Basket. Unscrew the spill cap. Carefully Slide the D-Tube inside the Valve and Screw the Valve inside the Tank such that the power cord doesnt get caught between the valve and the tank



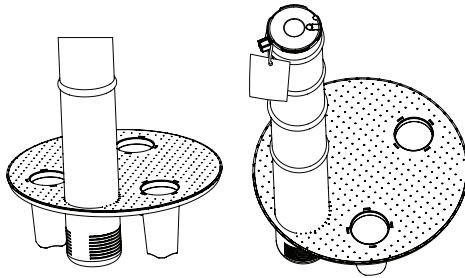
CAUTION: Make sure the power cord of the valve doesnt get caught between the threads

Step 3 – Assembling Brine Tank

a. Attach the three brine grid legs to grid plate. The legs will snap on to the tabs of the salt plate making a “click” sound. For square brine tank there are four legs.

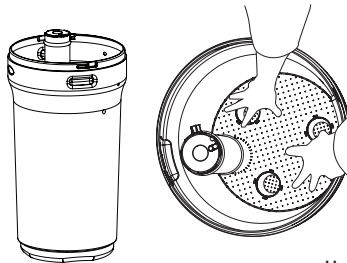


b. Insert the brine well assembly inside the grid plate as well below.

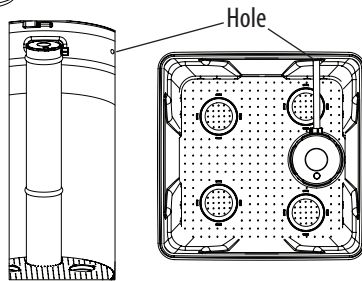


c. Drop the brine grid with brine well inside the brine tank such that the nut fitting faces the hole on the brine tank. Then press the grid evenly inside the brine tank until the brine grid legs touches the bottom of the brine tank.

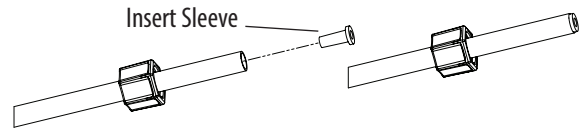
IMPORTANT: IN ROUND BRINE TANK, IT IS IMPORTANT TO ALIGN THE HANDLE TO THE BRINE WELL AS SHOWN



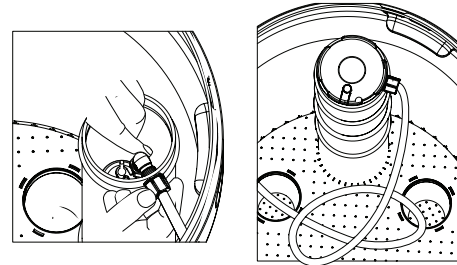
The hole in the brine tank should line up with the brine line as shown for round and square brine tank.



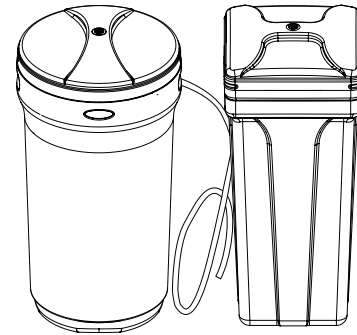
d. Take the brine tube and insert the nut and plastic sleeve as shown below.



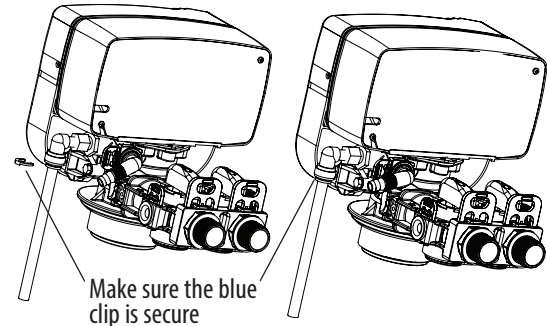
e. Insert the tube in the float assembly elbow and hand tighten the nut. In many cases the brine line already come installed from the factory. Leave the other end of the brine line tube inside the brine tank



f. For installation of brine tank at the installation site, pull the other end of the brine tube from the hole on the brine tank. The completed assembly is shown below.

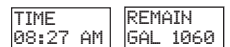


Step 4 – Attaching Brine Tubing to the Valve



Step 5 – Power and Program the Valve

Attach the Transformer cable to the valve and plug in the transformer to the 110V Power outlet. you will notice the two screens on right will alternate.



TIME
08:27 AM



KEYPAD

1. Press **SETTINGS** key to advance to **TIME OF DAY**. **TIME OF DAY** will flash. TIME 08:27 AM

2. Press the **UP** or **DOWN** key to adjust the **TIME OF DAY**. Press & hold the **UP** or **DOWN** key to quickly advance the hour and minutes. When desired time is displayed press **SELECT** to advance to the **HARDNESS** setting. **HARDNESS** will flash. HARDNESS 020GPG

3. Press the **UP** or **DOWN** key to adjust the **HARDNESS** (Min 1.Max 199). When desired hardness is displayed press **SELECT** to advance to the **PEOPLE** setting (Min1/Max9). People will flash. PEOPLE 04

4. When desired number of people is displayed press **SELECT** to complete pro-programming.

Follow the Instruction Manual to Complete the Installation of the Product